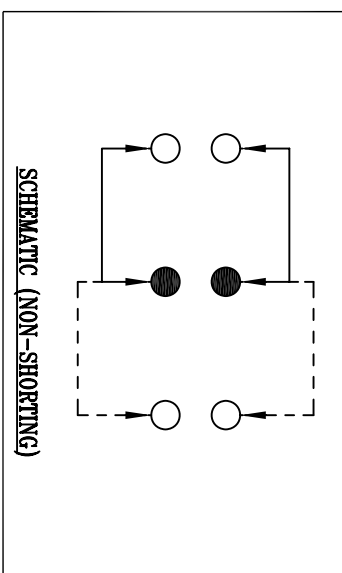
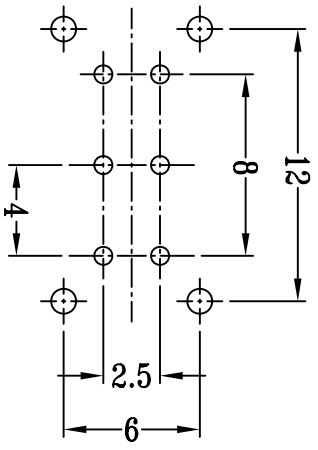
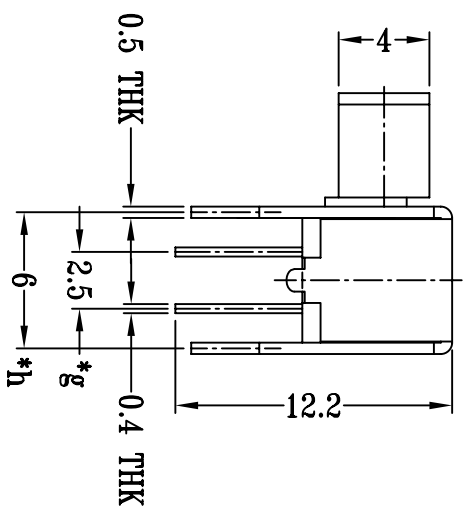
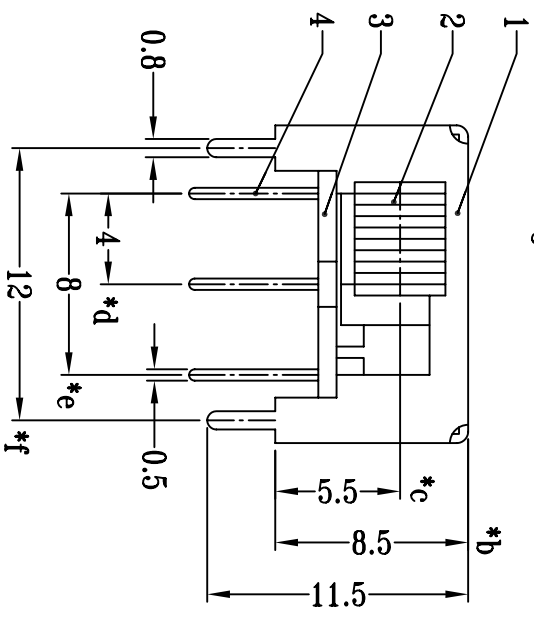
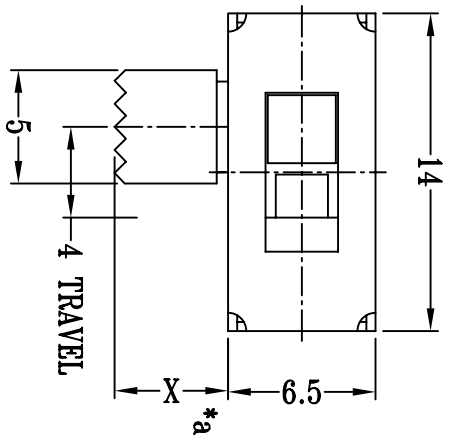




CAD FILE:



注:带*表示关键尺寸(8个)

8	CONTACT CLIP	PBS	2	Ag CLAD	TOLERANCE UNLESS SPECIFIED		SHENZHEN XIEJIA ELECTRONICS CO.,LTD.	
7	SPRING	STEEL WIRE	1	TEMPER	WITHIN: 1.5±0.1mm		ISSUE	DATE
6	STEEL BALL	STEEL	1	NATURAL	OVER: 1.5±0.2mm		DESCRIPTIONS OF REVISION	APPD.
4	TERMINAL	BRASS STRIP	6	Ag PLATED OVER Ni PLATED	TITLE: HORIZONTAL SLIDE SWITCH		UNIT: mm	DRWG NO.: XJ-DR-SK22H19-00
3	BASE	PHENOLIC RESIN	1	NATURAL	MODEL: SK-22H19		SCALE: 3:1	DWN. ZHOUYU 2000-3-6
2	KNOB	POM	1	BLACK	ALL MATERIALS MUST BE COMPLIANT TO ROHS			
1	FRAME	STEEL STRIP	1	Ni PLATED	FINISH		CHK'D FANGYING 2000-3-6	APPD. KANGXIAN 2000-3-6
NO.	PARTS	MATERIALS		Q'TY				